

P7810A,B,C,D Pressuretrol® Controller

CROSS REFERENCE

APPLICATION

This document provides a cross-reference list for the P7810A,B,C,D Pressuretrol® Controller. This cross-reference provides replacement information for the following controllers:

L404A	L604A	L91A
L404C	L604M	L91B
L404F		L91D

The following information is provided on the P7810A,B,C,D Pressuretrol® Controller: pressure range, proportioning range, proportioning type, maximum surge pressure, siphon loop size, differential range, differential type, manual reset capability, switch type, switch action on pressure rise and the device replaced.



P7810A,B,C,D PRESSURETROL® CONTROLLER

Replacement P7810 Model	Pressure Range	Proportioning Range I	Proportioning Type	Maximum Surge Pressure	Siphon Loop Size J	Differential Range I	Differential Type	Manual Reset	Switch Type	Switch Action Pressure Rise	Device Replaced	Comments Footnote n	On-Off Control	Safety High Limit	Modulation Control
P7810A1004	0-15 psi	-	-	25 psi	1/4 in.	2-10 psi	Subtractive	No	SPDT	Breaks	P7810A1004		X		
	2-15 psi	-	-	50 psi	1/4 in.	2-6 psi	Subtractive	No	SPST	Breaks	L404A1586	m			
	2-15 psi	-	-	50 psi	1/4 in.	2-6 psi	Subtractive	No	SPST	Breaks	L404A1354				
	2-15 psi	-	-	25 psi	1/4 in.	1-6 psi	Subtractive	No	SPST	Breaks	L404A1636				
	2-15 psi	-	-	25 psi	1/4 in.	2-6 psi	Subtractive	No	SPDT	Mk R-W Bk R-B	L404F1060	ab			
P7810A1012	2-15 psi	-	-	25 psi	1/4 in.	2-6 psi	Subtractive	No	SPDT	Mk R-W Bk R-B	L604A1169	ab			
	2-15 psi	-	-	25 psi	1/4 in.	1-6 psi	Subtractive	No	SPST	Breaks	L604A1219				
	0-150 psi	-	-	225 psi	1/4 in.	5-20 psi	Subtractive	No	SPST	Breaks	P7810A1012		X		
	5-50 psi	-	-	85 psi	1/4 in.	4-12 psi	Subtractive	No	SPST	Breaks	L404A1594	m			
	10-150 psi	-	-	225 psi	1/4 in.	8-18 psi	Subtractive	No	SPST	Breaks	L404A1602	m			
	5-150 psi	-	-	225 psi	1/4 in.	5-16 psi	Subtractive	No	SPST	Breaks	L404A1099	c,e			
	5-50 psi	-	-	85 psi	1/4 in.	4-12 psi	Subtractive	No	SPST	Breaks	L404A1370				
	10-150 psi	-	-	225 psi	1/4 in.	8-16 psi	Subtractive	No	SPST	Breaks	L404A1396				
	5-50 psi	-	-	85 psi	1/4 in.	6-14 psi	Subtractive	No	SPDT	Mk R-W Bk R-B	L404F1078	ab			
	10-150 psi	-	-	225 psi	1/4 in.	10-22 psi	Subtractive	No	SPDT	Mk R-W Bk R-B	L404F1102	a			
P7810A1020	5-50 psi	-	-	85 psi	1/4 in.	4-12 psi	Subtractive	No	SPDT	Mk R-W Bk R-B	L604A1177	ab			
	10-150 psi	-	-	225 psi	1/4 in.	8-16 psi	Subtractive	No	SPDT	Mk R-W Bk R-B	L604A1185	ab			
	10-150 psi	-	-	225 psi	1/4 in.	3.5 psi Fixed	Subtractive	No	SPDT	Mk R-W Bk R-B	L604M1000	ab			
	0-300 psi	-	-	450 psi	1/4 in.	15-50 psi	Subtractive	No	SPST	Breaks	P7810A1020		X		
	20-300 psi	-	-	350 psi	1/4 in.	15-45 psi	Subtractive	No	SPST	Breaks	L404A1610	m			
P7810B1002	20-300 psi	-	-	350 psi	1/4 in.	15-40 psi	Subtractive	No	SPST	Breaks	L404A1404	b			
	20-300 psi	-	-	350 psi	1/4 in.	20-50 psi	Subtractive	No	SPDT	Mk R-W Bk R-B	L404F1094	ab			
	20-300 psi	-	-	350 psi	1/4 in.	15-40 psi	Subtractive	No	SPDT	Mk R-W Bk R-B	L604A1193	ab			
	0-15 psi	2-10 psi	Additive	25 psi	1/4 in.	2-10 psi	Subtractive	No	SPST	Breaks	P7810B1002	c	X	X	
	2-15 psi	-	-	50 psi	1/4 in.	2-6 psi	Subtractive	No	SPST	Breaks	L404A1586	m			
P7810B1002	2-15 psi	-	-	50 psi	1/4 in.	2-6 psi	Subtractive	No	SPST	Breaks	L404A1354	c			
	2-15 psi	-	-	25 psi	1/4 in.	1-6 psi	Subtractive	No	SPST	Breaks	L404A1636	c			
	2-15 psi	-	-	25 psi	1/4 in.	2-6 psi	Subtractive	No	SPDT	Mk R-W Bk R-B	L404F1060	ab,c			
	2-15 psi	-	-	25 psi	1/4 in.	2-6 psi	Subtractive	No	SPDT	Mk R-W Bk R-B	L604A1169	ab,c			

Replacement P7810 Model	Pressure Range	Proportioning Range I	Proportioning Type	Maximum Surge Pressure	Siphon Loop Size J	Differential Range I	Differential Type	Manual Reset	Switch Type	Switch Action Pressure Rise	Device Replaced	Comments Footnote n	On-Off Control	Safety High Limit	Modulation Control
P7810B1002 (continued)	2-15 psi	-	-	25 psi	1/4 in.	1-6 psi	Subtractive	No	SPST	Breaks	L604A1219	c	X		
	0-4 psi	2 psi Fixed	Additive	20 psi	1/4 in.	-	-	-	-	-	L91A1029	c			X
	0-15 psi	0.5 psi Fixed	Additive	25 psi	1/4 in.	-	-	-	-	-	L91A1037	c			
	0-15 psi	1-12 psi	Additive	25 psi	1/4 in.	-	-	-	-	-	L91B1035	c			
	0-15 psi	1-12 psi	Additive	25 psi	1/4 in.	-	-	-	-	-	L91B1175	c			
	0-15 psi	1-12 psi	Additive	25 psi	1/4 in.	-	-	-	-	-	L91B1191	c			
	0-15 psi	1-12 psi	Additive	25 psi	1/4 in.	-	-	-	-	-	L91D1015	c,d			
	0-150 psi	5-20 psi	Additive	225 psi	1/4 in.	5-20 psi	Subtractive	No	SPST	Breaks	P7810B1010		X	X	
	5-50 psi	-	-	85 psi	1/4 in.	4-12 psi	Subtractive	No	SPST	Breaks	L404A1594	m			
	10-150 psi	-	-	225 psi	1/4 in.	8-18 psi	Subtractive	No	SPST	Breaks	L404A1602	m			
5-150 psi	-	-	225 psi	1/4 in.	5-16 psi	Subtractive	No	SPST	Breaks	L404A1099	c,e				
5-50 psi	-	-	85 psi	1/4 in.	4-12 psi	Subtractive	No	SPST	Breaks	L404A1370	c				
10-150 psi	-	-	225 psi	1/4 in.	8-16 psi	Subtractive	No	SPST	Breaks	L404A1396	c				
5-50 psi	-	-	85 psi	1/4 in.	6-14 psi	Subtractive	No	SPDT	Mk R-W Bk R-B	L404F1078	ab,c				
10-150 psi	-	-	225 psi	1/4 in.	10-22 psi	Subtractive	No	SPDT	Mk R-W Bk R-B	L404F1102	a,c				
5-50 psi	-	-	85 psi	1/4 in.	4-12 psi	Subtractive	No	SPDT	Mk R-W Bk R-B	L604A1177	ab,c				
10-150 psi	-	-	225 psi	1/4 in.	8-16 psi	Subtractive	No	SPDT	Mk R-W Bk R-B	L604A1185	ab,c				
10-150 psi	-	-	225 psi	1/4 in.	3.5 psi Fixed	Subtractive	No	SPDT	Mk R-W Bk R-B	L604M1000	ab,c				
5-150 psi	5 psi Fixed	Additive	225 psi	1/4 in.	-	-	-	-	-	-	L91A1052	c			X
5-150 psi	5 psi Fixed	Additive	225 psi	1/4 in.	-	-	-	-	-	-	L91A1060	c			
5-150 psi	5-23 psi	Additive	225 psi	1/4 in.	-	-	-	-	-	-	L91B1050	c			
5-150 psi	5 psi fixed	Additive	225 psi	1/4 in.	-	-	-	-	-	-	L91B1076	c,e			
5-150 psi	11-52 psi	Additive	225 psi	1/4 in.	-	-	-	-	-	-	L91D1031	c			
P7810B1028	0-300 psi	15-50 psi	Additive	450 psi	1/4 in.	15-50 psi	Subtractive	No	SPST	Breaks	P7810B1028		X		X
	20-300 psi	-	-	350 psi	1/4 in.	15-45 psi	Subtractive	No	SPST	Breaks	L404A1610	m			
	20-300 psi	-	-	350 psi	1/4 in.	15-40 psi	Subtractive	No	SPST	Breaks	L404A1404	b			
	20-300 psi	-	-	350 psi	1/4 in.	20-50 psi	Subtractive	No	SPDT	Mk R-W Bk R-B	L404F1094	ab			
	20-300 psi	-	-	350 psi	1/4 in.	15-40 psi	Subtractive	No	SPDT	Mk R-W Bk R-B	L604A1193	ab			

P7810A,B,C,D PRESSURETROL® CONTROLLER

Replacement P7810 Model	Pressure Range	Proportioning Range I	Proportioning Type	Maximum Surge Pressure	Siphon Loop Size J	Differential Range I	Differential Type	Manual Reset	Switch Type	Switch Action Pressure Rise	Device Replaced	Comments Footnote n	On-Off Control	Safety High Limit	Modulation Control	
P7810B1028 (continued)	10-300 psi	12 psi Fixed	Additive	325 psi	1/4 in.	-	-	-	-	-	L91A1078	b,c			X	
	10-300 psi	28-110 psi	Additive	325 psi	1/4 in.	-	-	-	-	-	L91B1068	b,c				
	10-300 psi	28-110 psi	Additive	325 psi	1/4 in.	-	-	-	-	-	L91B1167	c				
	10-300 psi	28-110 psi	Additive	325 psi	1/4 in.	-	-	-	-	-	L91D1049	c			X	
	10-300 psi	28-110 psi	Additive	325 psi	1/4 in.	-	-	-	-	-	L91D1130	c				
	0-15 psi	2-10 psi	Additive	25 psi	1/2 in.	2-10 psi	Subtractive	Yes	SPST	Breaks	P7810C1000	cf	X	X		
P7810C1000	2-15 psi	-	-	50 psi	1/4 in.	2-6 psi	Subtractive	No	SPST	Breaks	L404A1586	m				
	2-15 psi	-	-	50 psi	1/4 in.	2-6 psi	Subtractive	No	SPST	Breaks	L404A1354	c				
	2-15 psi	-	-	25 psi	1/4 in.	1-6 psi	Subtractive	No	SPST	Breaks	L404A1636	c				
	2-15 psi	-	-	25 psi	1/4 in.	2-6 psi	Subtractive	No	SPDT	Mk R-W Bk R-B	L404F1060	ab,c				
	2-15 psi	-	-	25 psi	1/4 in.	2-6 psi	Subtractive	No	SPDT	Mk R-W Bk R-B	L604A1169	ab,c				
	2-15 psi	-	-	25 psi	1/4 in.	1-6 psi	Subtractive	No	SPST	Breaks	L604A1219	c				
	0-4 psi	2 psi Fixed	Additive	20 psi	1/4 in.	-	-	-	-	-	L91A1029	c			X	
	0-15 psi	0.5 psi Fixed	Additive	25 psi	1/4 in.	-	-	-	-	-	L91A1037	c				
	0-15 psi	1-12 psi	Additive	25 psi	1/4 in.	-	-	-	-	-	L91B1035	c				
	0-15 psi	1-12 psi	Additive	25 psi	1/4 in.	-	-	-	-	-	L91B1175	c				
	0-15 psi	1-12 psi	Additive	25 psi	1/4 in.	-	-	-	-	-	L91B1191	c				
	0-15 psi	1-12 psi	Additive	25 psi	1/4 in.	-	-	-	-	-	L91D1015	c,d				
	0-15 psi	-	-	20 psi	1/4 in.	2 psi Fixed	Subtractive	Yes	SPST	Breaks	L404C1006	c		X		
	0-15 psi	-	-	20 psi	1/4 in.	2 psi Fixed	Subtractive	Yes	SPST	Breaks	L404C1014	b,c				
	2-15 psi	-	-	25 psi	1/4 in.	3 psi Fixed	Subtractive	Yes	SPST	Breaks	L404C1105	b,c				
	2-15 psi	-	-	50 psi	1/4 in.	3 psi Fixed	Subtractive	Yes	SPST	Breaks	L404C1147	c				
	P7810C1018	0-150 psi	5-20 psi	Additive	225 psi	1/2 in.	5-20 psi	Subtractive	Yes	SPST	Breaks	P7810C1018	cf	X	X	
		5-50 psi	-	-	85 psi	1/4 in.	4-12 psi	Subtractive	No	SPST	Breaks	L404A1594	m			
10-150 psi		-	-	225 psi	1/4 in.	8-18 psi	Subtractive	No	SPST	Breaks	L404A1602	m				
5-150 psi		-	-	225 psi	1/4 in.	5-16 psi	Subtractive	No	SPST	Breaks	L404A1099	c,e				
5-50 psi		-	-	85 psi	1/4 in.	4-12 psi	Subtractive	No	SPST	Breaks	L404A1370	c			X	
10-150 psi		-	-	225 psi	1/4 in.	8-16 psi	Subtractive	No	SPST	Breaks	L404A1396	c				
5-50 psi		-	-	85 psi	1/4 in.	6-14 psi	Subtractive	No	SPDT	Mk R-W Bk R-B	L404F1078	ab,c				
10-150 psi		-	-	225 psi	1/4 in.	10-22 psi	Subtractive	No	SPDT	Mk R-W Bk R-B	L404F1102	a,c				

Replacement P7810 Model	Pressure Range	Proportioning Range I	Proportioning Type	Maximum Surge Pressure	Siphon Loop Size J	Differential Range I	Differential Type	Manual Reset	Switch Type	Switch Action Pressure Rise	Device Replaced	Comments Footnote n	On-Off Control	Safety High Limit	Modulation Control	
P7810C1018 (continued)	5-50 psi	-	-	85 psi	1/4 in.	4-12 psi	Subtractive	No	SPDT	Mk R-W Bk R-B	L604A1177	a,b,c	X			
	10-150 psi	-	-	225 psi	1/4 in.	8-16 psi	Subtractive	No	SPDT	Mk R-W Bk R-B	L604A1185	a,b,c				
	10-150 psi	-	-	225 psi	1/4 in.	3.5 psi Fixed	Subtractive	No	SPDT	Mk R-W Bk R-B	L604M1000	a,b,c				
	5-150 psi	5 psi Fixed	Additive	225 psi	1/4 in.	-	-	-	-	-	-	L91A1052	c		X	
	5-150 psi	5 psi Fixed	Additive	225 psi	1/4 in.	-	-	-	-	-	-	L91A1060	c			
	5-150 psi	5-23 psi	Additive	225 psi	1/4 in.	-	-	-	-	-	-	L91B1050	c			
	5-150 psi	5 psi fixed	Additive	225 psi	1/4 in.	-	-	-	-	-	-	L91B1076	c,e			
	5-150 psi	11-52 psi	Additive	225 psi	1/4 in.	-	-	-	-	-	-	L91D1031	c			
	2-50 psi	-	-	85 psi	1/4 in.	4 psi Fixed	Subtractive	Yes	SPST	Breaks	Breaks	L404C1022	c		X	
	2-50 psi	-	-	85 psi	1/4 in.	4 psi Fixed	Subtractive	Yes	SPST	Breaks	Breaks	L404C1030	c			
	2-50 psi	-	-	85 psi	1/4 in.	4 psi Fixed	Subtractive	Yes	SPST	Breaks	Breaks	L404C1048	b,c			
	2-50 psi	-	-	85 psi	1/4 in.	4 psi Fixed	Subtractive	Yes	SPST	Breaks	Breaks	L404C1055	b,c			
	5-150 psi	-	-	170 psi	1/4 in.	8 psi Fixed	Subtractive	Yes	SPST	Breaks	Breaks	L404C1063	c			
	5-150 psi	-	-	225 psi	1/4 in.	8 psi Fixed	Subtractive	Yes	SPST	Breaks	Breaks	L404C1071	c			
	5-50 psi	-	-	85 psi	1/4 in.	6 psi Fixed	Subtractive	Yes	SPST	Breaks	Breaks	L404C1113	b,c			
10-150 psi	-	-	225 psi	1/4 in.	12 psi Fixed	Subtractive	Yes	SPST	Breaks	Breaks	L404C1121	b,c				
5-50 psi	-	-	85 psi	1/4 in.	6 psi Fixed	Subtractive	Yes	SPST	Breaks	Breaks	L404C1154	c				
10-150 psi	-	-	225 psi	1/4 in.	12 psi Fixed	Subtractive	Yes	SPST	Breaks	Breaks	L404C1162	c				
P7810C1026	0-300 psi	15-50 psi	Additive	450 psi	1/2 in.	15-50 psi	Subtractive	Yes	SPST	Breaks	P7810C1026	c	X	X		
	20-300 psi	-	-	350 psi	1/4 in.	15-45 psi	Subtractive	No	SPST	Breaks	L404A1610	m				
	20-300 psi	-	-	350 psi	1/4 in.	15-40 psi	Subtractive	No	SPST	Breaks	L404A1404	b				
	20-300 psi	-	-	350 psi	1/4 in.	20-50 psi	Subtractive	No	SPDT	Mk R-W Bk R-B	L404F1094	ab				
	20-300 psi	-	-	350 psi	1/4 in.	15-40 psi	Subtractive	No	SPDT	Mk R-W Bk R-B	L604A1193	ab				
	10-300 psi	12 psi Fixed	Additive	325 psi	1/4 in.	-	-	-	-	-	-	L91A1078	b,c		X	
	10-300 psi	28-110 psi	Additive	325 psi	1/4 in.	-	-	-	-	-	-	L91B1068	b,c			
	10-300 psi	28-110 psi	Additive	325 psi	1/4 in.	-	-	-	-	-	-	L91B1167	c			
	10-300 psi	28-110 psi	Additive	325 psi	1/4 in.	-	-	-	-	-	-	L91D1049	c			
	10-300 psi	28-110 psi	Additive	325 psi	1/4 in.	-	-	-	-	-	-	L91D1130	c			

P7810A,B,C,D PRESSURETROL® CONTROLLER

Replacement P7810 Model	Pressure Range	Proportioning Range I	Proportioning Type	Maximum Surge Pressure	Siphon Loop Size J	Differential Range I	Differential Type	Manual Reset	Switch Type	Switch Action Pressure Rise	Device Replaced	Comments Footnote n	On-Off Control	Safety High Limit	Modulation Control
P7810C1026 (continued)	10-300 psi	-	-	350 psi	1/4 in.	10 psi Fixed	Subtractive	Yes	SPST	Breaks	L404C1089	c		X	
	10-300 psi	-	-	350 psi	1/4 in.	10 psi Fixed	Subtractive	Yes	SPST	Breaks	L404C1097	c			
	20-300 psi	-	-	350 psi	1/4 in.	20 psi Fixed	Subtractive	Yes	SPST	Breaks	L404C1139	c			
	0-15 psi	-	-	25 psi	1/2 in.	2-10 psi	Subtractive	Yes	SPST	Breaks	P7810D1008	cf	X		
	2-15 psi	-	-	50 psi	1/4 in.	2-6 psi	Subtractive	No	SPST	Breaks	L404A1586	m			
	2-15 psi	-	-	50 psi	1/4 in.	2-6 psi	Subtractive	No	SPST	Breaks	L404A1354	c			
P7810D1008	2-15 psi	-	-	25 psi	1/4 in.	1-6 psi	Subtractive	No	SPST	Breaks	L404A1636	c			
	2-15 psi	-	-	25 psi	1/4 in.	2-6 psi	Subtractive	No	SPDT	Mk R-W Bk R-B	L404F1060	a,b,c			
	2-15 psi	-	-	25 psi	1/4 in.	2-6 psi	Subtractive	No	SPDT	Mk R-W Bk R-B	L604A1169	a,b,c			
	2-15 psi	-	-	25 psi	1/4 in.	1-6 psi	Subtractive	No	SPST	Breaks	L604A1219	c			
	0-15 psi	-	-	20 psi	1/4 in.	2 psi Fixed	Subtractive	Yes	SPST	Breaks	L404C1006	c		X	
	0-15 psi	-	-	20 psi	1/4 in.	2 psi Fixed	Subtractive	Yes	SPST	Breaks	L404C1014	b,c			
	2-15 psi	-	-	25 psi	1/4 in.	3 psi Fixed	Subtractive	Yes	SPST	Breaks	L404C1105	b,c			
	2-15 psi	-	-	50 psi	1/4 in.	3 psi Fixed	Subtractive	Yes	SPST	Breaks	L404C1147	c			
	0-150 psi	-	-	225 psi	1/2 in.	5-20 psi	Subtractive	Yes	SPST	Breaks	P7810D1016	cf	X		
	5-50 psi	-	-	85 psi	1/4 in.	4-12 psi	Subtractive	No	SPST	Breaks	L404A1594	m			
	10-150 psi	-	-	225 psi	1/4 in.	8-18 psi	Subtractive	No	SPST	Breaks	L404A1602	m			
	5-150 psi	-	-	225 psi	1/4 in.	5-16 psi	Subtractive	No	SPST	Breaks	L404A1099	c,e			
5-50 psi	-	-	85 psi	1/4 in.	4-12 psi	Subtractive	No	SPST	Breaks	L404A1370	c				
10-150 psi	-	-	225 psi	1/4 in.	8-16 psi	Subtractive	No	SPST	Breaks	L404A1396	c				
5-50 psi	-	-	85 psi	1/4 in.	6-14 psi	Subtractive	No	SPDT	Mk R-W Bk R-B	L404F1078	a,b,c				
10-150 psi	-	-	225 psi	1/4 in.	10-22 psi	Subtractive	No	SPDT	Mk R-W Bk R-B	L404F1102	a,c				
5-50 psi	-	-	85 psi	1/4 in.	4-12 psi	Subtractive	No	SPDT	Mk R-W Bk R-B	L604A1177	a,b,c				
10-150 psi	-	-	225 psi	1/4 in.	8-16 psi	Subtractive	No	SPDT	Mk R-W Bk R-B	L604A1185	a,b,c				
10-150 psi	-	-	225 psi	1/4 in.	3.5 psi Fixed	Subtractive	No	SPDT	Mk R-W Bk R-B	L604M1000	a,b,c				
2-50 psi	-	-	85 psi	1/4 in.	4 psi Fixed	Subtractive	Yes	SPST	Breaks	L404C1022	c			X	
2-50 psi	-	-	85 psi	1/4 in.	4 psi Fixed	Subtractive	Yes	SPST	Breaks	L404C1030	c				
2-50 psi	-	-	85 psi	1/4 in.	4 psi Fixed	Subtractive	Yes	SPST	Breaks	L404C1048	b,c				
2-50 psi	-	-	85 psi	1/4 in.	4 psi Fixed	Subtractive	Yes	SPST	Breaks	L404C1055	b,c				
5-150 psi	-	-	170 psi	1/4 in.	8 psi Fixed	Subtractive	Yes	SPST	Breaks	L404C1063	c				

Replacement P7810 Model	Pressure Range	Proportioning Range I	Proportioning Type	Maximum Surge Pressure	Siphon Loop Size J	Differential Range I	Differential Type	Manual Reset	Switch Type	Switch Action Pressure Rise	Device Replaced	Comments Footnote n	On-Off Control	Safety High Limit	Modulation Control
P7810D1016 (continued)	5-150 psi	-	-	225 psi	1/4 in.	8 psi Fixed	Subtractive	Yes	SPST	Breaks	L404C1071	c		X	
	5-50 psi	-	-	85 psi	1/4 in.	6 psi Fixed	Subtractive	Yes	SPST	Breaks	L404C1113	b,c			
	10-150 psi	-	-	225 psi	1/4 in.	12 psi Fixed	Subtractive	Yes	SPST	Breaks	L404C1121	b,c			
	5-50 psi	-	-	85 psi	1/4 in.	6 psi Fixed	Subtractive	Yes	SPST	Breaks	L404C1154	c			
	10-150 psi	-	-	225 psi	1/4 in.	12 psi Fixed	Subtractive	Yes	SPST	Breaks	L404C1162	c			
P7810D1024	0-300 psi	-	-	450 psi	1/2 in.	15-50 psi	Subtractive	Yes	SPST	Breaks	P7810D1024	c	X	X	
	20-300 psi	-	-	350 psi	1/4 in.	15-45 psi	Subtractive	No	SPST	Breaks	L404A1610	m			
	20-300 psi	-	-	350 psi	1/4 in.	15-40 psi	Subtractive	No	SPST	Breaks	L404A1404	b			
	20-300 psi	-	-	350 psi	1/4 in.	20-50 psi	Subtractive	No	SPDT	Mk R-W Bk R-B	L404F1094	ab			
	20-300 psi	-	-	350 psi	1/4 in.	15-40 psi	Subtractive	No	SPDT	Mk R-W Bk R-B	L604A1193	ab			
	10-300 psi	-	-	350 psi	1/4 in.	10 psi Fixed	Subtractive	Yes	SPST	Breaks	L404C1089	c		X	
	10-300 psi	-	-	350 psi	1/4 in.	10 psi Fixed	Subtractive	Yes	SPST	Breaks	L404C1097	c			
	20-300 psi	-	-	350 psi	1/4 in.	20 psi Fixed	Subtractive	Yes	SPST	Breaks	L404C1139	c			

FOOTNOTES:

- a P7810 provides R_B break switch function only.
- b P7810 does not include siphon loop.
- c P7810 combines proportioning and operating control and safety limit switching functions, model dependent.
- d To support two motors, reference figure 1.
- e P7810 is not fungus proof.
- f P7810 safety limit switching differential is 0 psi.
- g If old controller is surface mount, new mounting holes maybe required, use 207704 adapter plate.
- h Order 1/4 in. siphon loop part number 14026.
- i Order 1/2 in. siphon loop part number 209731.
- j It is recommended a siphon loop be used with the steam pressure controls to protect the control. A siphon loop maintains a water seal between the steam and inlet to the control.
- k L404 with a snap action switch.
- l Check proportioning and differential range, P7810 differs with some models.
- m L404 with ground screw for Canada.
- n P7810 is 120 V control ONLY. P7810 electrical ratings are:
 Power 1.45W
 Contact Ratings:
 120 Vac 9.8 AFL, 58 ALR, 10A Resistive

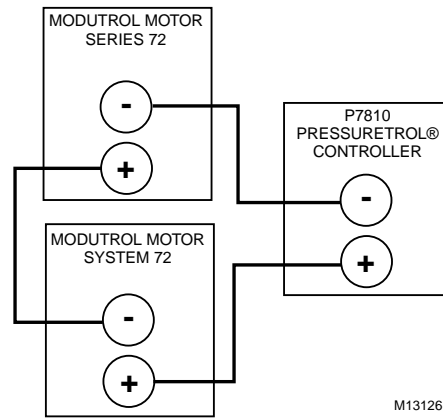


Fig. 1. P7810 Pressuretrol® Controller with two Series 72 modutrol motors.

Home and Building Control

Honeywell Inc.
Honeywell Plaza
P.O. Box 524
Minneapolis MN 55408-0524

Honeywell Latin American Region

480 Sawgrass Corporate Parkway
Suite 200
Sunrise FL 33325

Home and Building Control

Honeywell Limited-Honeywell Limitée
155 Gordon Baker Road
North York, Ontario
M2H 3N7

Honeywell Europe S.A.

3 Avenue du Bourget
1140 Brussels
Belgium

Honeywell Asia Pacific Inc.

Room 3213-3225
Sun Hung Kai Centre
No. 30 Harbour Road
Wanchai
Hong Kong

Honeywell

