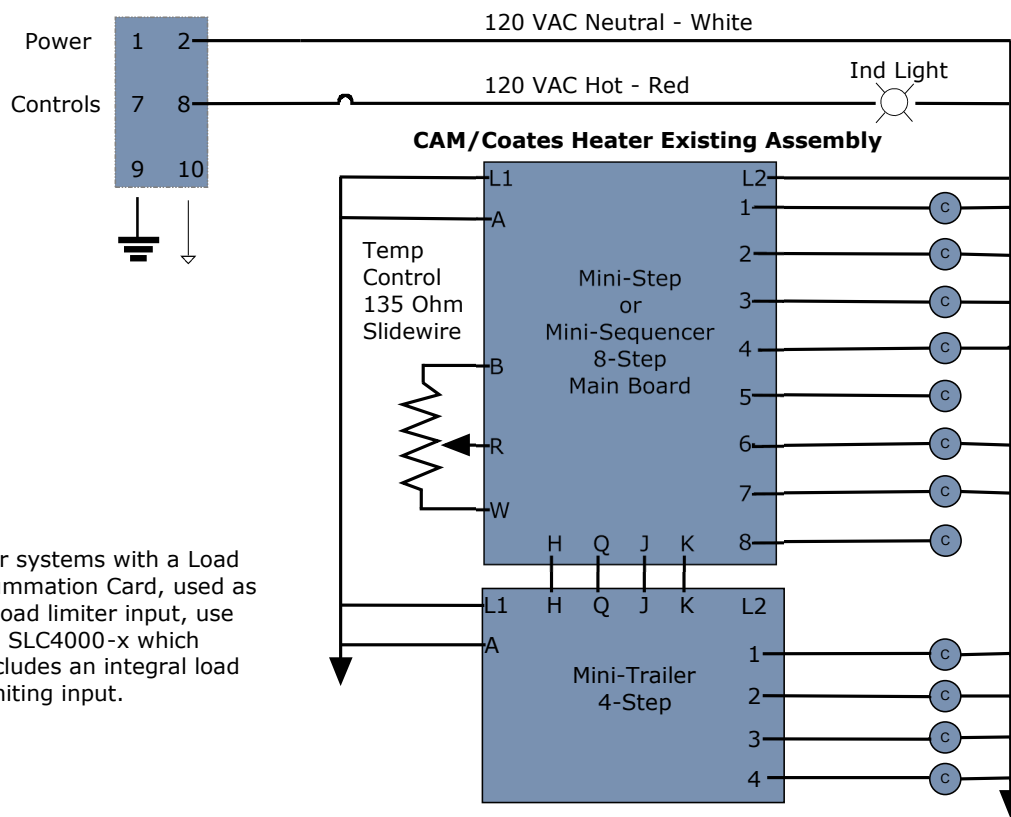


Replacing a CAM/Coates Heater Assy with a Selectronix SLC2100 Load Controller



For systems with a Load Summation Card, used as a load limiter input, use an SLC4000-x which includes an integral load limiting input.

L1 HOT Selectronix SLC2108, SLC2110, SLC2112 SLC2108X, SLC2110X, OR SLC2112X L2 NEUTRAL

For systems with 6 or less stages, use SLC210n where n is the quantity of relays. Same basic wiring.

Note 1:
For a slidewire device
Change jumpers to
E30-E31
E34-E35
E37-E38

Note 2:
If using an Expandable Control Unit, SLC2108X, SLC2110X, or SLC2112X as a control unit with no expansion units, move jumper from E27-E28 to E28-E29.

