
SELECTRONIX, INC.
WOODINVILLE, WA

SUPERSTEP SERIES 4000
SEQUENCING STEP
CONTROLLERS

INSTALLATION & OPERATING
ADDENDUM

BACnet MS/TP Converter
for Selectronix Building Management Interface

Introduction

This addendum describes how to wire and configure the SLC4081 or SLC4082 BACnet I/P to BACnet MS/TP converter. This device converts the BACnet I/P information from the SLC4075-x, Touchscreen Gateway (TSGW) to BACnet MS/TP, an RS-485 protocol for the Selectronix Building Management Interface. A Bill of Materials and schematic to support the installation are included.

1 Bill of Materials

Part Number	Description	Remarks
SLC4081	BACnet I/P to MS/TP converter	SLC4081 is the legacy unit not for new installations
SLC4082	BACnet I/P to MS/TP converter	Use for new installations
SLC4083	Transformer, 120/24 V ac, Chassis mnt, 1/4" quick disconnect terminals	For use with SLC4082 SLC4076, 24V dc is optional power
SLC4076 (optional)	Power Supply, 24V dc, DIN rail mount	Compatible with SLC4081 or SLC4082 For SLC4082 , a 24 V ac transformer may be used.
	DIN Rail to mount SLC4076	
SLC4020-x	Cable, to connect SLC4075, Touchscreen Gateway (TSGW) to SLC4081 BACnet converter	-x is required length from TSGW to SLC4081. Standard lengths are 1, 2, 3, 6, 10, 20, 35 feet.

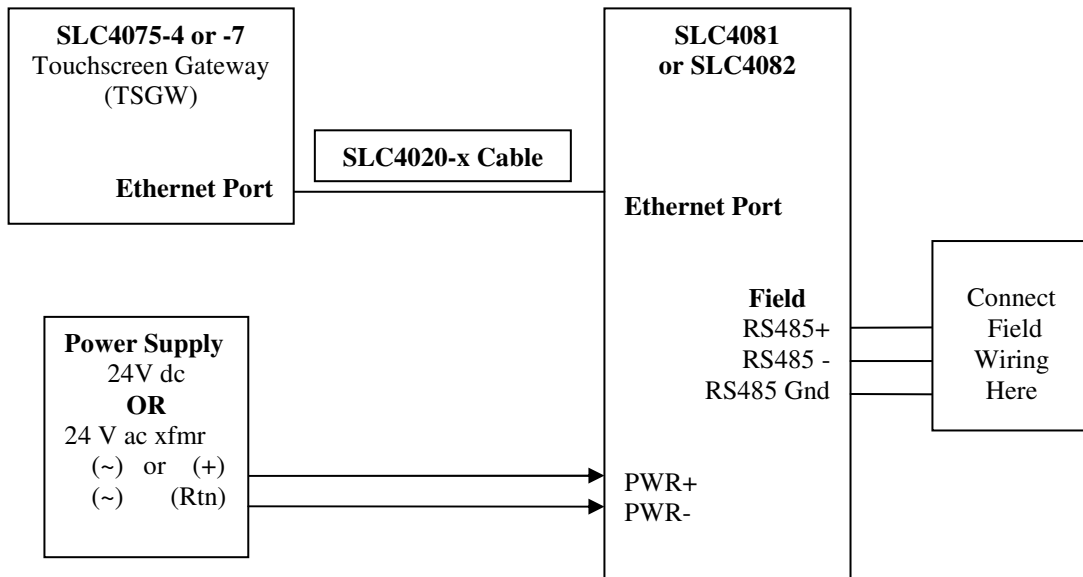


Figure 1 BACnet I/P to BACnet MS/TP Converter Wiring Diagram

2 SLC4082 BB2 Customer Configuration Instructions

The SLC4082 Babel Buster 2 (BB2) is delivered with all the data points pre-programmed to be compatible with the SLC4075-x Touchscreen gateway.

The unit may be re-configured to change the Instance ID from the default 4082, MS/TP MAC address from the default 121, or MS/TP baud rate from the default 38400. **When multiple units are to be installed on the same network, each unit must be assigned a unique Instance ID and MAC address.**

The default IP address for the unit has been changed to: 192.168.0.103

Do Not Change This Address, as it must be compatible with the IP address of the SLC4075 (192.168.0.104), and is never visible on a common network, even if multiple SLC4082s are on a common network.

The BB2 contains an http server which provides for re-configuration.

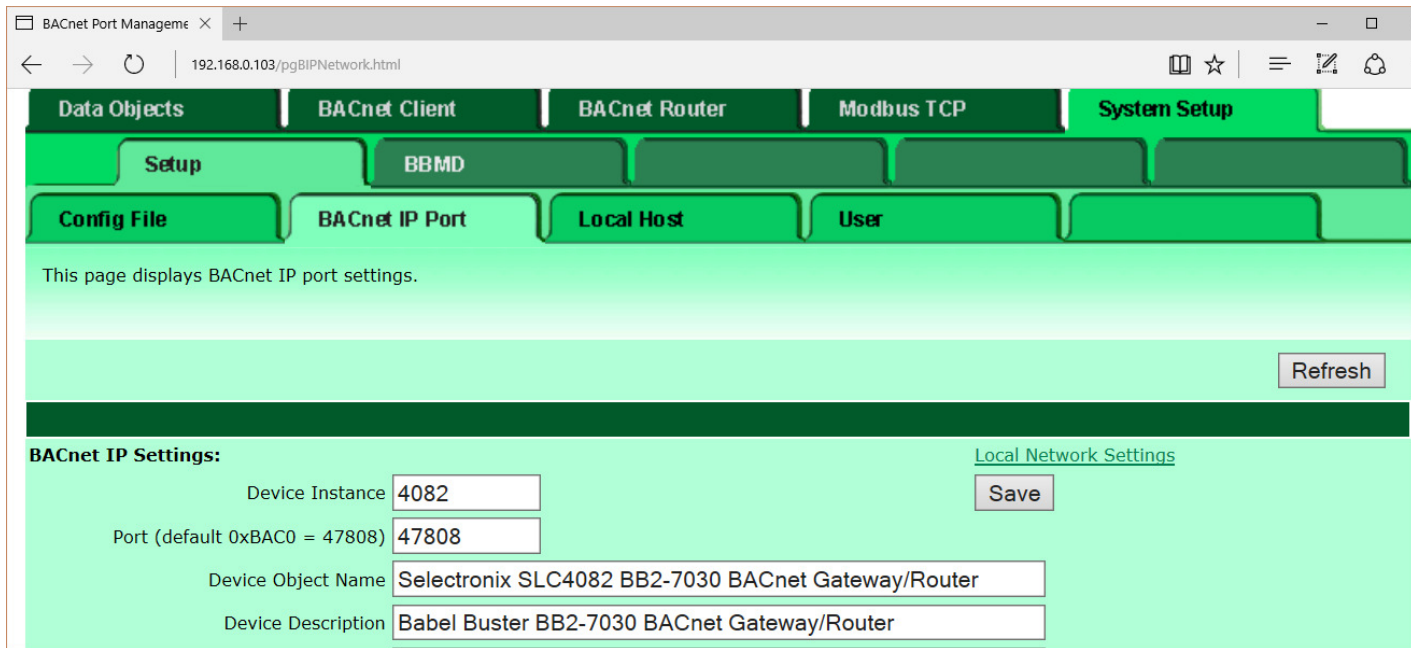
Required Equipment

1. External 24V ac or 24V dc power supply.
2. Laptop PC with wired Ethernet port.
3. A standard Ethernet patch cable, such as SLC4020-x.

Detailed Instructions

4. Configure a laptop computer to have the TCP/IP settings as follows:
 - a. Static IPV4 Address: 192.168.0.99
 - b. Subnet Mask: 255.255.255.0
 - c. Default Gateway: 0.0.0.0
5. Connect the laptop PC to the switch and to the BB2
6. Default Logon ID: system
7. Default Password: admin

2.1 Change SLC4082 Instance ID



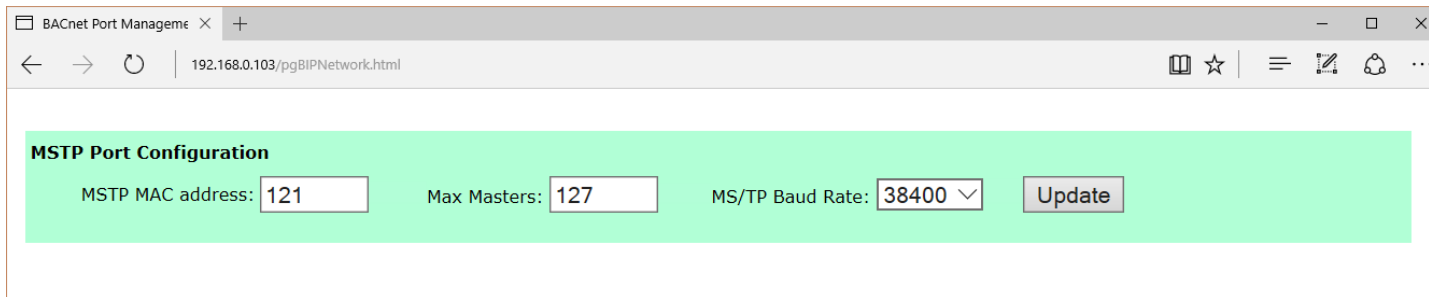
8. Select <System Setup>; <Setup>; <BACnet IP Port>
9. Change BACnet IP Settings; Device Instance to the desired value

- a. The range of Node is 1-4194302

10. <Save>

11. Wait while the information is saved to the unit
12. The browser should automatically refresh, but if it doesn't, <Refresh> to verify the value
13. has been changed

2.2 Change SLC4082 MS/TP MAC Address or Baud rate



14. Change the MSTP Port Configuration MSTP MAC address to the desired value
 - a. The range of MAC addresses is 1-127
15. Change the baud rate using the drop down arrow to either 9600, 19200, or 76800.
16. <Save>
17. Wait while the information is saved to the unit
18. The browser should automatically refresh, but if it doesn't, <Refresh> to verify the value has been changed

**Questions: Call Selectronix at (425) 788-2979 or email
techsupport@selectronix.us**