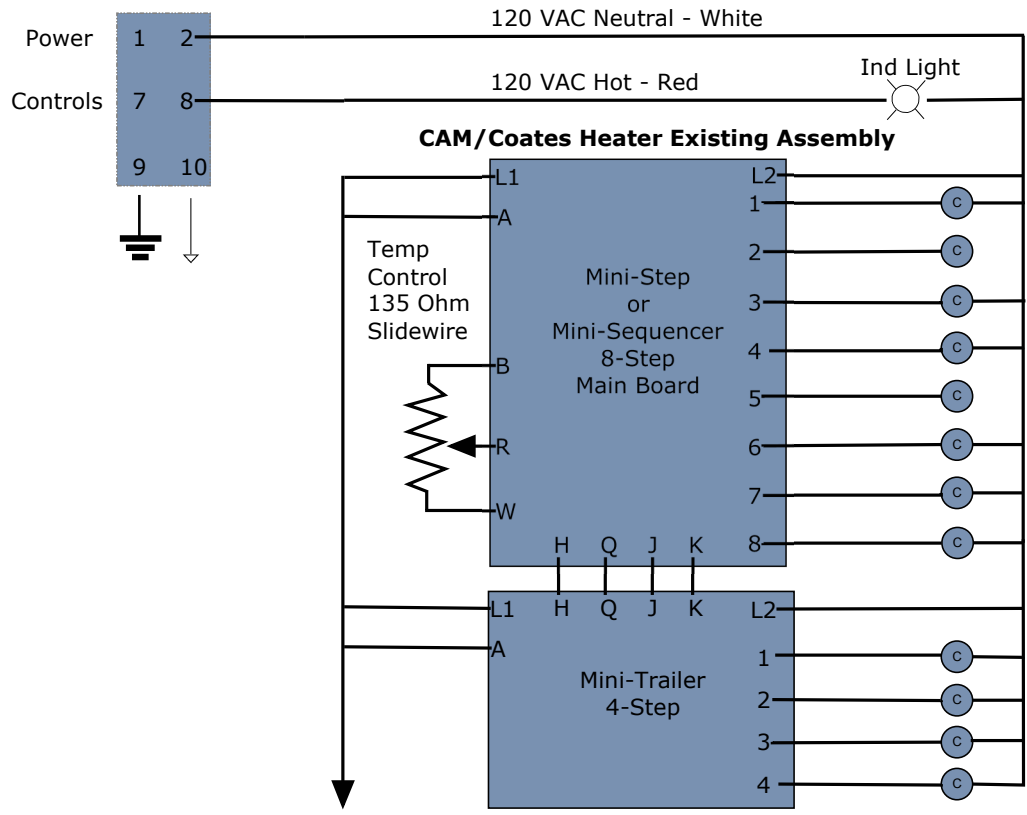
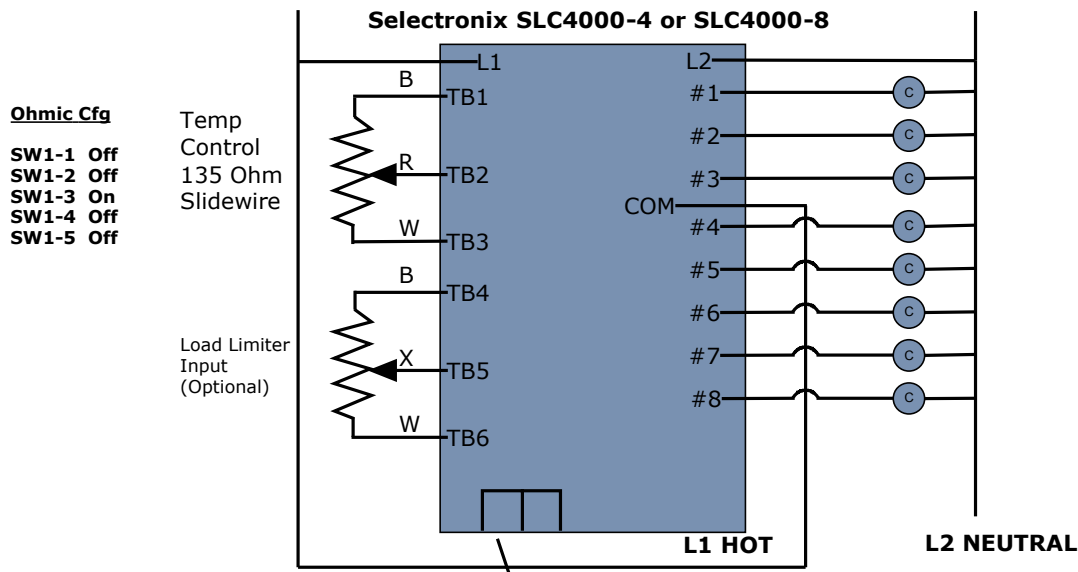


Replacing a CAM/Coates Heater Assy with a Selectronix SLC4000 Load Controller



L1 HOT L2 NEUTRAL



To other SLC4000 units configured as Expansion Units

Cam2Slc4000.sdr
Rev. 02/04/2008