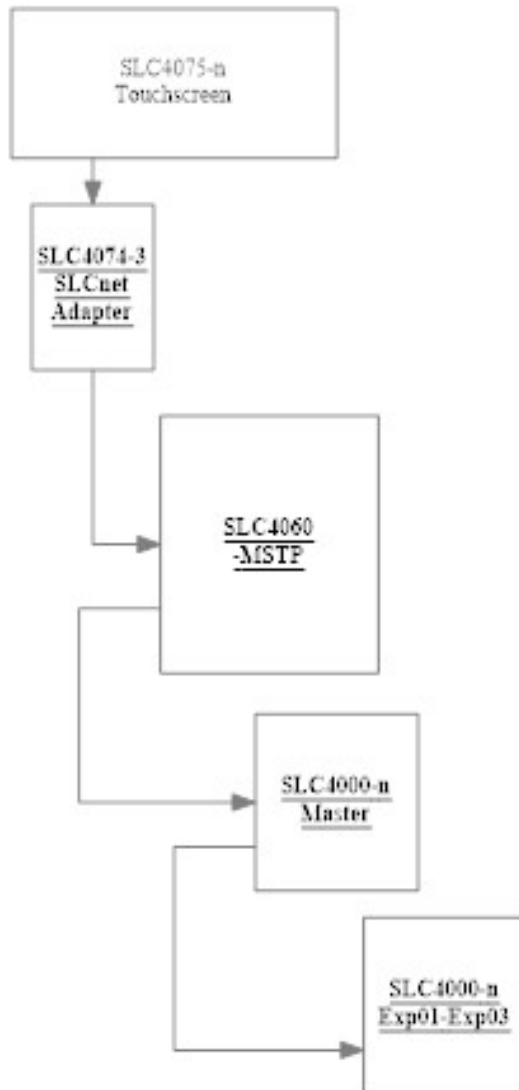


SLC4000TechNote23\_SelectronixBldgMngmtInterfaceConfigurations  
Rev 05/13/24

## Single Boiler Configuration

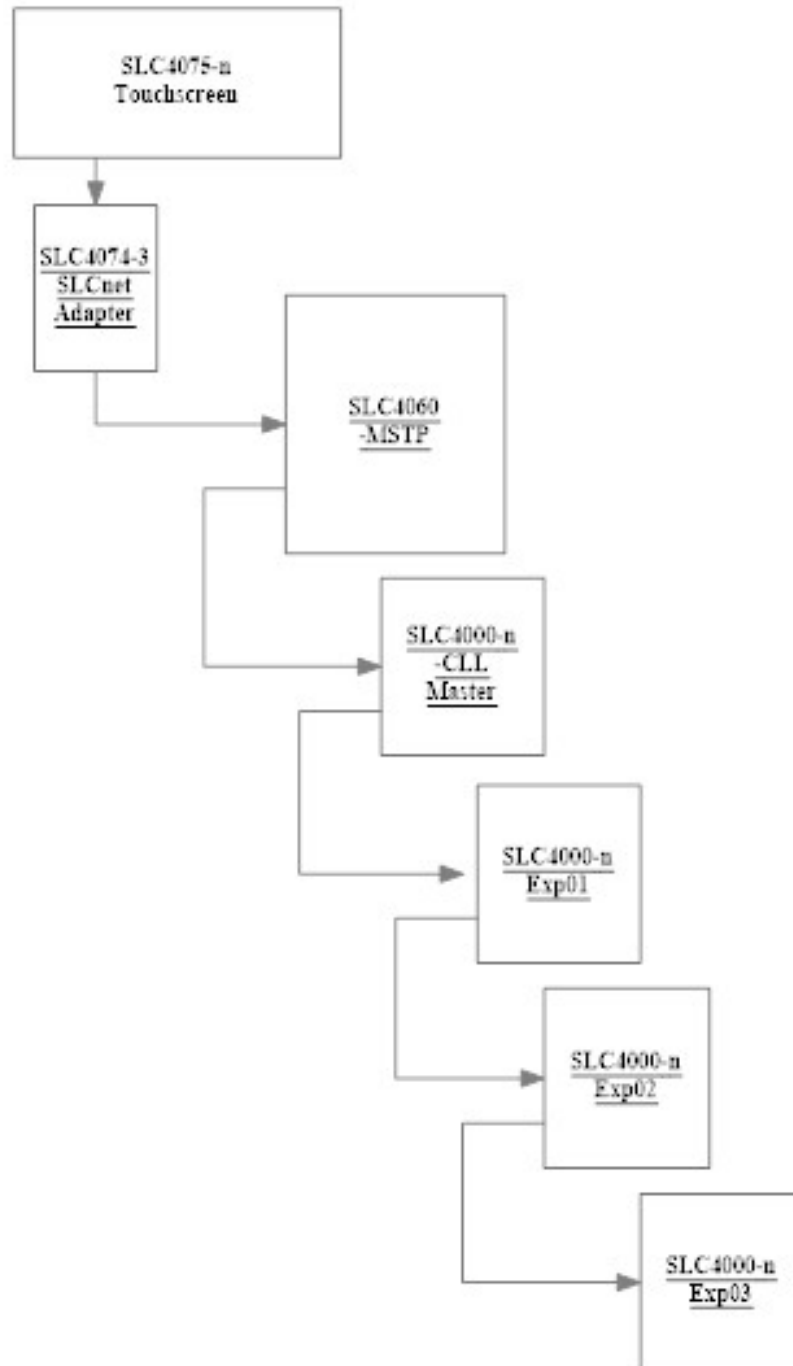
BldgMngmtIntConfigurationsSag1.sdr



- This is the simplest configuration which provides for a single boiler with up to 32 relay steps.

## Multiple Boiler 4 Blr - 8 Step Max - Configuration

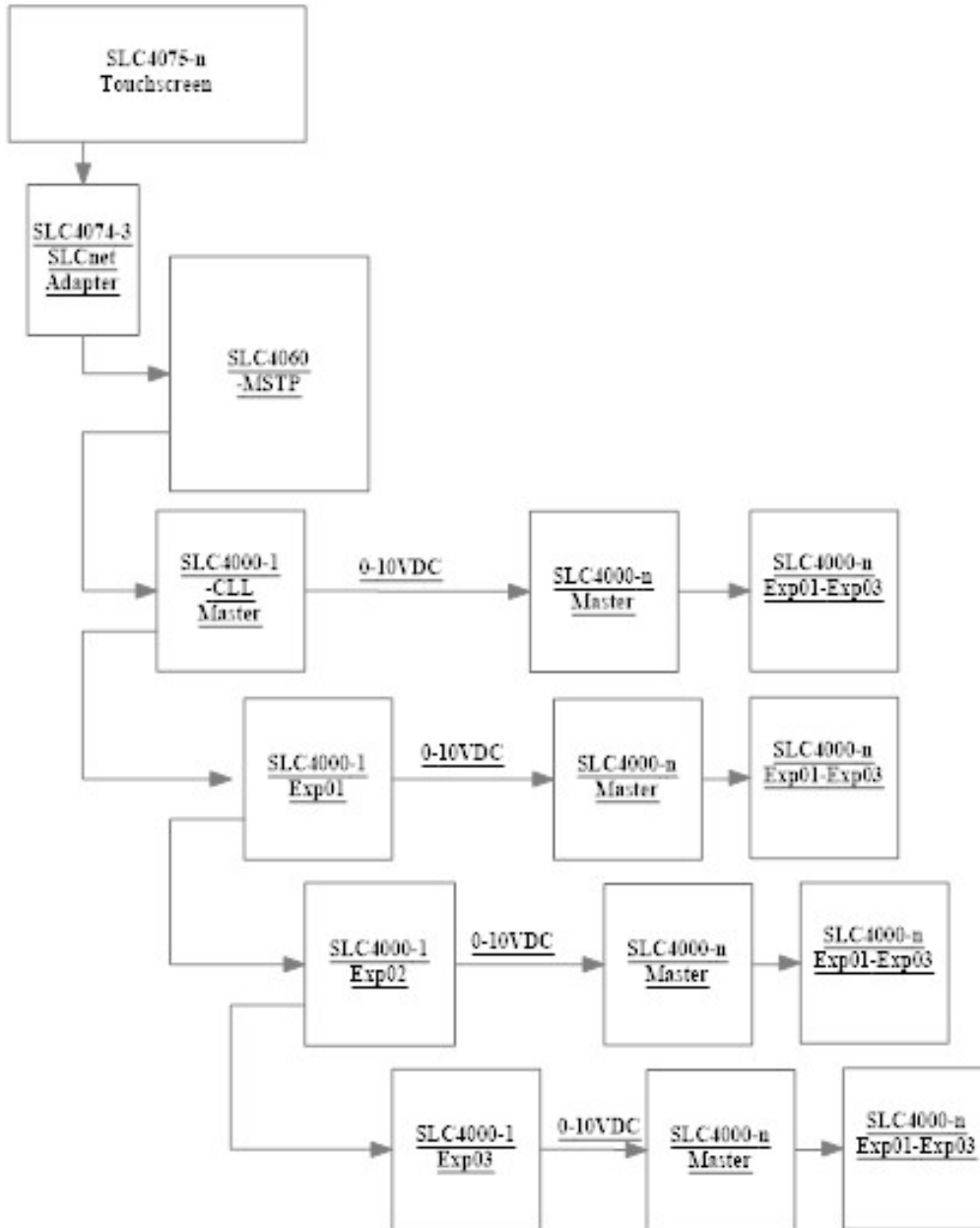
BldgMngmtIntConfiguration-Multi8StepMax.sdr



- This configuration supports a maximum of 4 boilers, each with a maximum of 8 relay steps per boiler.
- The Classic Lead/Lag option is highly recommended.

## Multiple Boiler 4 Banks-Extended Sequencer Chain

BldgMgmtIntConfigurations-4Banks-ExtendedSequencerChain.sdr



- This configuration supports a maximum of 4 boilers, each with a maximum of up to 32 relay steps per boiler.
- The Classic Lead/Lag option is highly recommended.

*Other configurations are available for On/Off control of the individual boilers.*

**If you have any questions or need assistance for specific configurations, call or email us.**